

# Target model – U7E

Target designed for 100-200m ranges with supersonic ammunition.

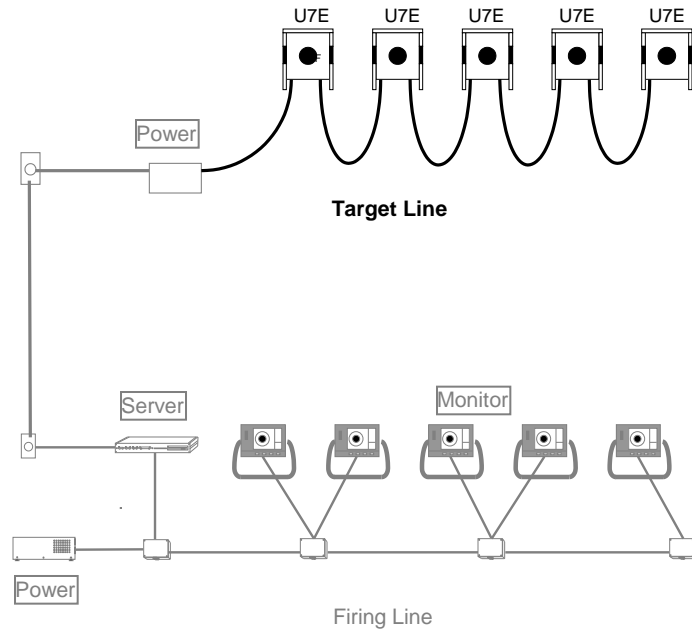
Normal aiming points and human/animal targets can be mounted.

The target frame is made of solid wood.

3 sensors are mounted at the bottom of the target, with inspection opening in front and rear.

The lowest 20 cm of the acoustic measuring chamber, has to be covered in front in order to secure the sensors.

The target has an adjustable horizontal and vertical rubber band to seal the acoustic chamber.



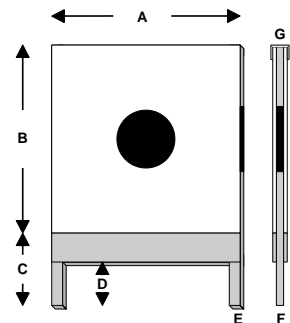
## Recommended use :

- **100m – 200m**  
Supersonic ammunition.

## Technical :

### Dimensions:

A .....	1160 mm
B .....	1300 mm
C .....	500 mm
D .....	300 mm
E .....	68 mm
F .....	36 mm
G .....	92 mm



Temperature range ..... -30 til + 60°C

Horizontal rubber band..... 3 x 400 mm

Vertical rubber band ..... 2 x 450 x 3000mm

Weight ..... approx 25 kg

