

Target model H1H

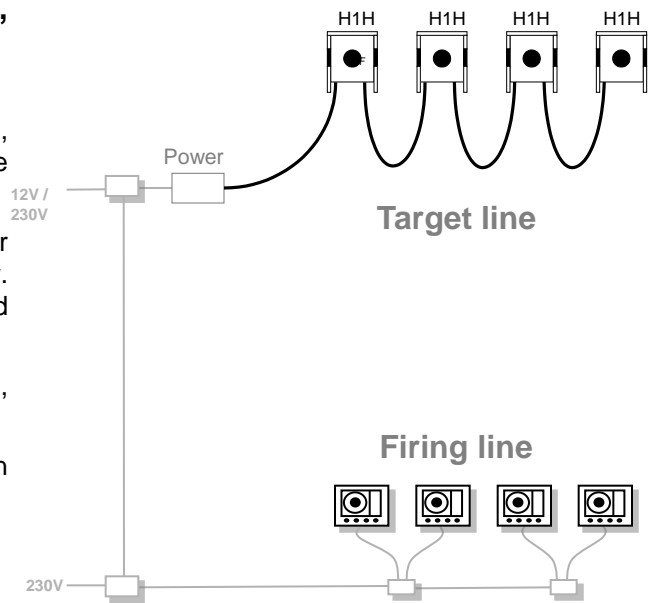
Target from Kongsberg Target Systems AS, mainly designed for long range shooting.

The target frame is made of 42mm plywood, and the sound sensors (4 on each target) are placed in the corners for maximum accuracy and stability.

There are also two temperature sensors to compensate for heat variation within the sound chamber. The target has an adjustable vertical rubber band to seal the acoustic chamber

Independant report for NRA in Great Britain in 2005, proves the accuracy at 1000yds to be 0.65mm!

The internal target electronics and target interconnection board is mounted/covered under the top of the butt.



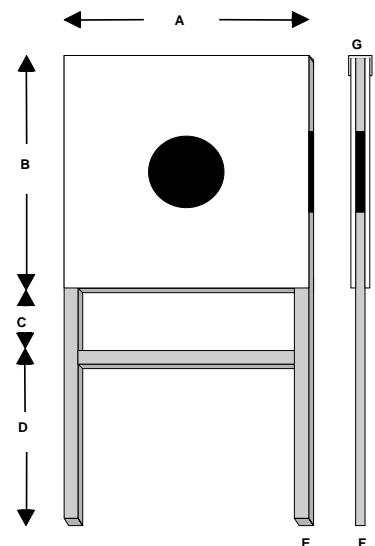
Recommended use:

- Long range shooting

Technical :

Dimensions:

A	1822 mm
B	1822 mm
C	500 mm
D	500 mm
E	100 mm
F	42 mm
G	102 mm



Temperature range - 30 til + 60 °C

Vertical rubber band 2x1000 mm

Weight approx. 65 kg