

Target model H3A

Target designed for 100-300m ranges with supersonic ammunition.

Normal aiming points and human/animal targets can be mounted.

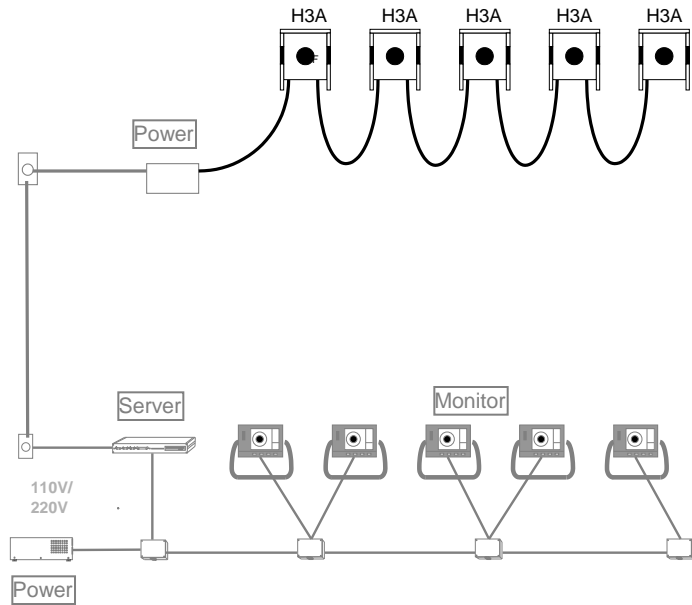
The target frame is made of solid wood.

4 sensors are placed in the corners for maximum accuracy. 2 of the sensors measure the temperature in order to compensate for the heat variation.

The lowest 20 cm of the acoustic measuring chamber, has to be covered in front in order to secure the lowest sensors and the internal target electronics.

Inspection opening in front and rear.

The target has an adjustable horizontal and vertical rubber band to seal the acoustic chamber.



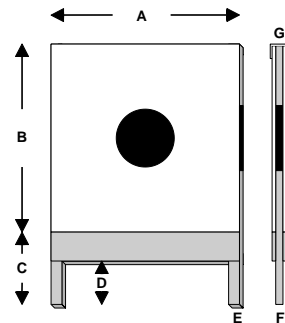
Recommended use :

- 100m – 200m - 300m (supersonic ammunition).

Technical :

Dimensions:

A	1300 mm
B	1300 mm
C	500 mm
D	300 mm
E	68 mm
F	36 mm
G	92 mm



Temperature range -30 til + 60°C

Weight..... Approx. 30 kg

