

# Target model H3D

Target for shooting with both pistol and rifle, at all distances between 10m – 50m.

Easy to change aiming frame and distance.

The target frame is made of solid plywood. The sensors (4) are placed in the corners of the frame for maximum accuracy and stability. A vertical band with automatic feeding, seals the acoustic chamber.

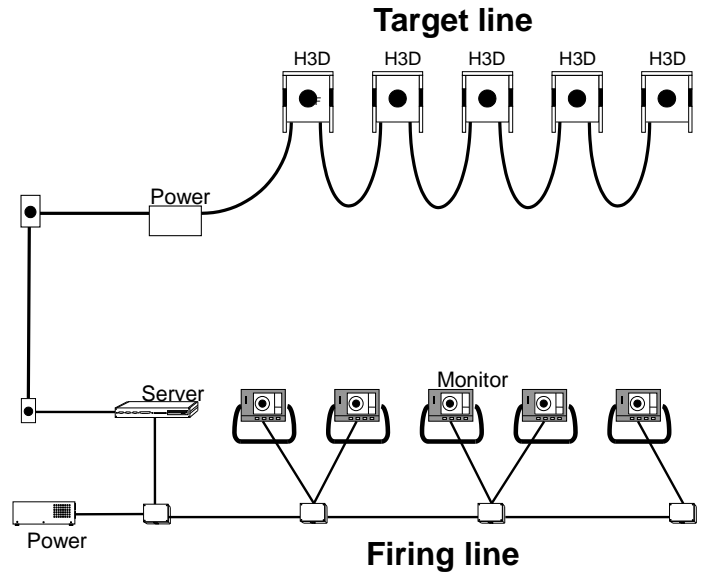
10m, 15m: Paper band.

25m, 50m: Rubber band.

For shooting at 25m and 50m, the frame is protected by a 6mm steel plate.

The steel plate is hinged for easy change of aiming frame and shooting distance.

The target can be delivered with a red and a green lamp for rapid fire pistol shooting. These lamps can be controlled in accordance with the shooting program, operated by either the control room software or by the shooter.



## Recommended use:

- 10m air pistol and rifle
- 15m rifle (.22LR)
- 25m pistol (large and small calibre)
- 50m rifle (.22LR)

## Technical:

### Dimensions:

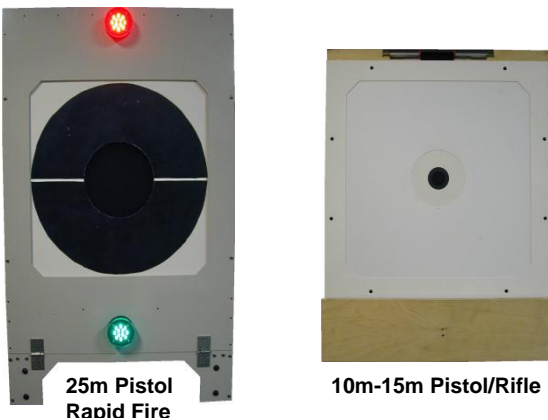
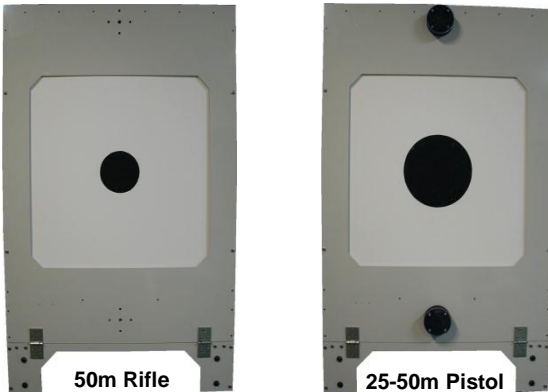
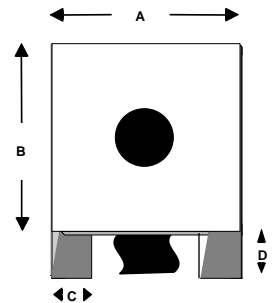
(with / without steel plate)

A .. 706 mm / 640 mm

B .. 1084 mm / 823 mm

C .. 133 mm

D .. 148 mm



Temperature range ..... - 10 till + 60 °C

**Paper band. Rifle 10-15m** Width: 95mm. Length: 50m  
**Pistol 10m** Width: 189mm. Length: 40m

**Rubber band. 25-50m** Width: 260 mm. Length: 10m

**Weight**..... 7 kg / 21 kg