

Target model – U6E

Target designed for 100 - 300m ranges with supersonic and subsonic ammunition. Normal aiming points and animal/human targets can be mounted.

Automatic feeding of the rubber band.
The feeding length is set from the monitor.

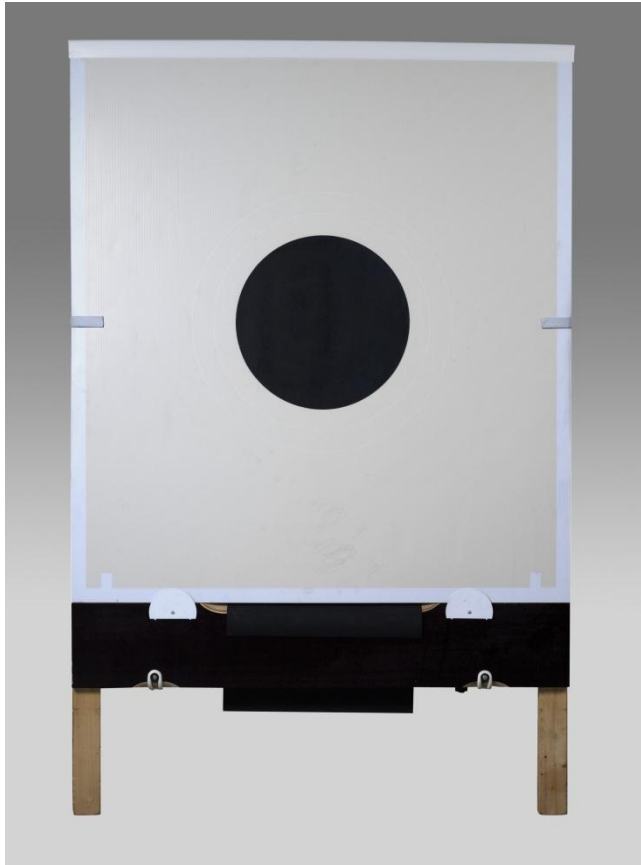
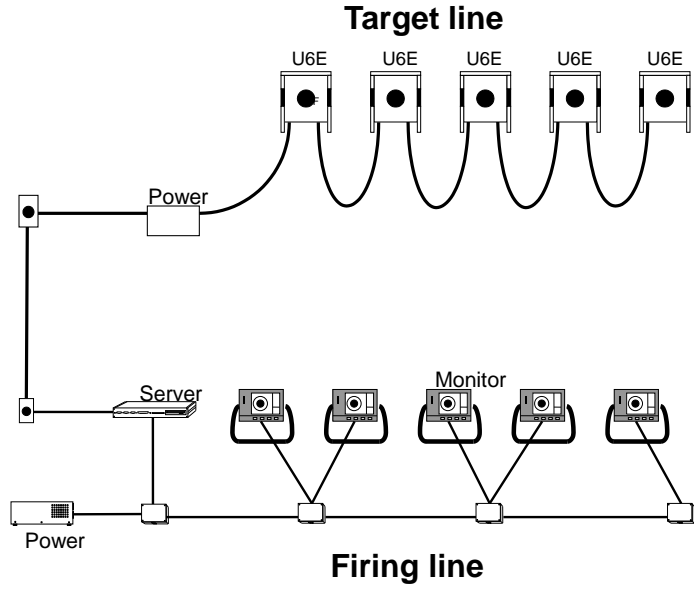
A warning is displayed on the monitor when the rubber band has reached the end or the feeding has stopped.

Target electronics is integrated in the target.

The target frame is made of solid wood.
3 sensors and rubber band feeder are placed in the bottom of the target.

The lowest 20 cm of the acoustic measuring chamber should be protected, by mounting part of the target behind a blender or below the edge of the pit.

The sensors, the feeding mechanism and the target electronics are then protected.



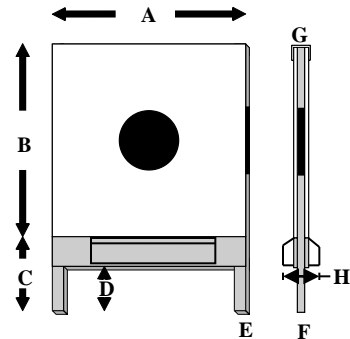
Recommended use :

- 100m - 300m
Supersonic and subsonic (cal .22LR) ammunition.

Technical :

Dimensions:

A	1160 mm
B	1340 mm
C	500 mm
D	300 mm
E	70 mm
F	47 mm
G	120 mm
H	340 mm



Temperature range -10 to + 60°C

Vertical rubber band (roll) 2 x 350 x 8000mm

Weight..... Approx 40 kg